



LIAISON[®] X

LIAISON® XL
Tailored to your needs



THE POWER OF LIAISON® XL



EASY-TO-USE



LIFETIME VALUE



VERSATILITY

THE SIMPLE SOLUTION TO SPECIALIZED TESTING

The speed and precision to drive your results

Pairing powerful and easy-to-use diagnostics technology with high sensitivity and precision, our unique, high-volume LIAISON® XL analyzer represents a new benchmark in automated specialty testing.

Loading everything on the fly frees time when resources are scarce.

Disposable tips and reaction cuvettes make your job easier and safe.

25 reagent channels let you simultaneously run different assays and increase productivity when needed.

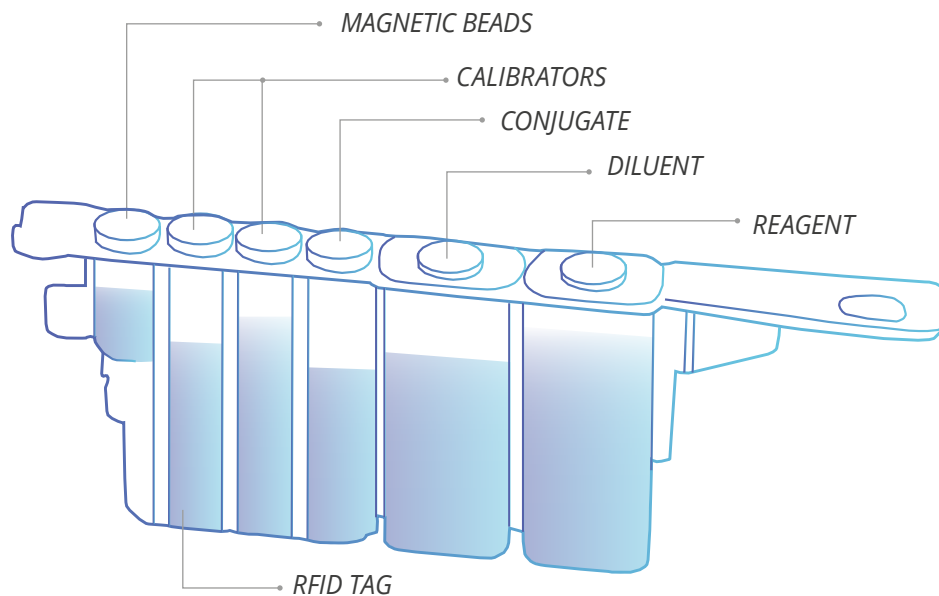
Complete traceability increases compliance and minimizes the possibility of human error.

No daily maintenance streamlines your routine, boosting efficiency.



Intuitive, compact and fully accessible

LIAISON® XL uses a single, all-inclusive Reagent Integral format for all assays, guaranteeing consistent, high-quality diagnostic results and preventing waste. This universal format is compatible with any LIAISON® chemiluminescence platform.



[DISCOVER OUR REAGENT ASSAY MENU](#)

Save space in your lab, improve walkaway times, and reduce costs

LIAISON® XL fuses the benefits of high sensitivity, high throughput and complete traceability within a compact and fully automated specialty immunoassay analyzer. Day-after-day, it delivers the performance you can rely on to boost your competitive edge.

UNIQUE IMMUNOASSAYS

Consolidate exclusive assays that are not available on any other automated platform.

LONG-TERM ACCURACY

Ensure quality results, without fail, regardless of patient testing volumes.

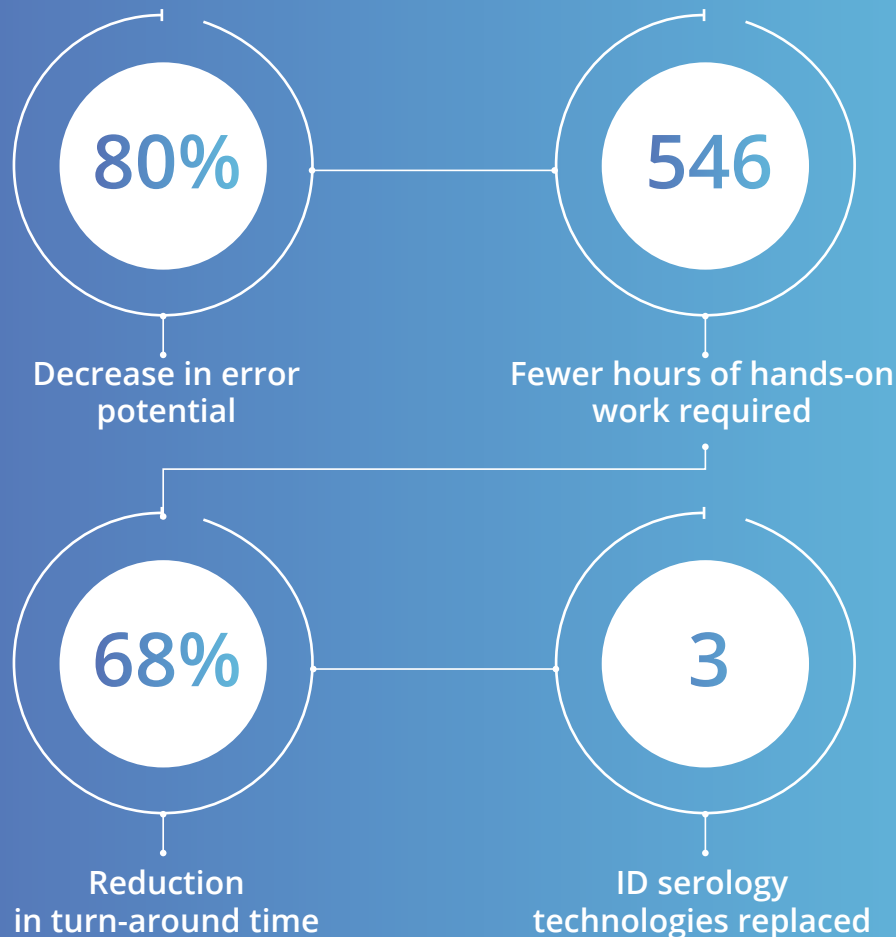
HIGH PRODUCTIVITY

Do more with fewer resources and increase the efficiency of your specialty testing services.



CUTTING-EDGE TECHNOLOGY MEETS OPERATIONAL EXCELLENCE

Leveraging DiaSorin's distinctive expertise in the field of immunodiagnostics, LIAISON® XL is approved by the most relevant Government Authorities, including CE IVDR, FDA, and NMPA. Its high-quality design also enables full compliance with clinical laboratory accreditation standards.



Results of an autonomous workflow study of a mixed routine. Comparison between LIAISON® XL and a standard ELISA automated platform, 2018.

Seamlessly integrate LIAISON® XL into your process

Transitioning to a new level of automation has never been easier. With its trusted results and flexible operability, LIAISON® XL allows you to simultaneously optimize your process and your diagnostic accuracy.

DYNAMIC ADAPTATION

The system automatically adapts to any request for new sample testing, ensuring top performance and eliminating bottlenecks.

UNIVERSAL CONNECTIVITY

LIAISON® XL easily pairs with all existing laboratory automation tracks.

TOTAL LABORATORY AUTOMATION

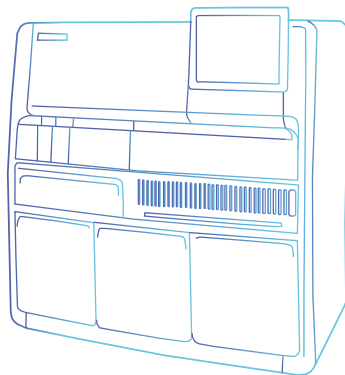
Adding pre- and post-sampling modules creates a single and fully-automated specialty testing solution.



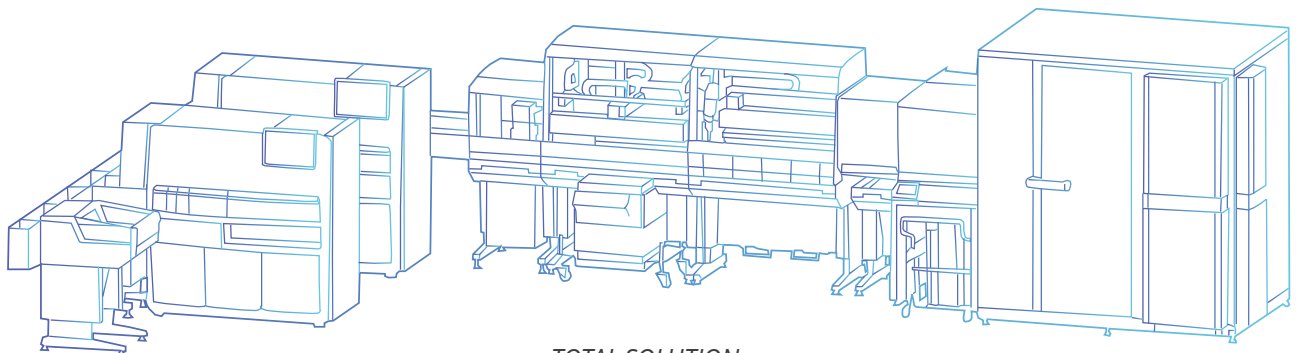
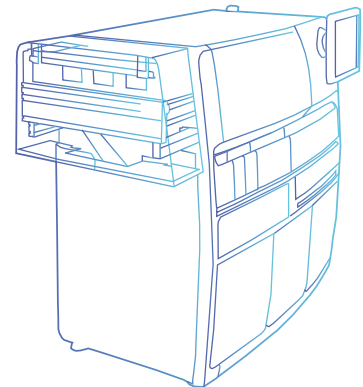
The perfect synthesis of diagnostic competence

LIAISON® XL combines unparalleled process management reliability with the effectiveness of our field-proven LIAISON® technology, letting you quickly create a specialized lab within your existing operation. Use as a stand-alone machine, connect within an existing automation track or allow DiaSorin to provide a comprehensive solution.

STAND-ALONE



CONNECTED



TOTAL SOLUTION

The DiaSorin advantage

With DiaSorin's tailored partnership approach, our team of professionals, technical experts and laboratory consultants are by your side every step of the way.

CONFIDENCE

LIAISON® XL ensures complete traceability to individual tubes and fewer opportunities for human error due to manual processes.

INTEGRITY

LIAISON® XL allows parallel testing of a broad range of assays, delivering better blood stewardship through the reduction of sample splitting.

RESPONSIVE

Our global service network delivers highly qualified technical support whenever and wherever required, letting you get back to business as quickly as possible.

Your specialty testing partner

Supporting the widest range of diagnostic needs on the market, DiaSorin delivers the strategic innovation and exclusive immunoassays you can rely on to improve your workflow.

CLINICAL FOCUS AREAS



METABOLIC DISORDERS



ENDOCRINOLOGY



TUMOR MARKERS



**GASTROINTESTINAL
DISEASES**



INFECTIOUS DISEASES



**HEPATITIS AND
RETROVIRUSES**

System performance

Random access or batch chemiluminescence (CL) processing

Walkaway time of up to 6 hours

Throughput up to 171 tests per hour*

Time to first result in as little as 17 minutes*

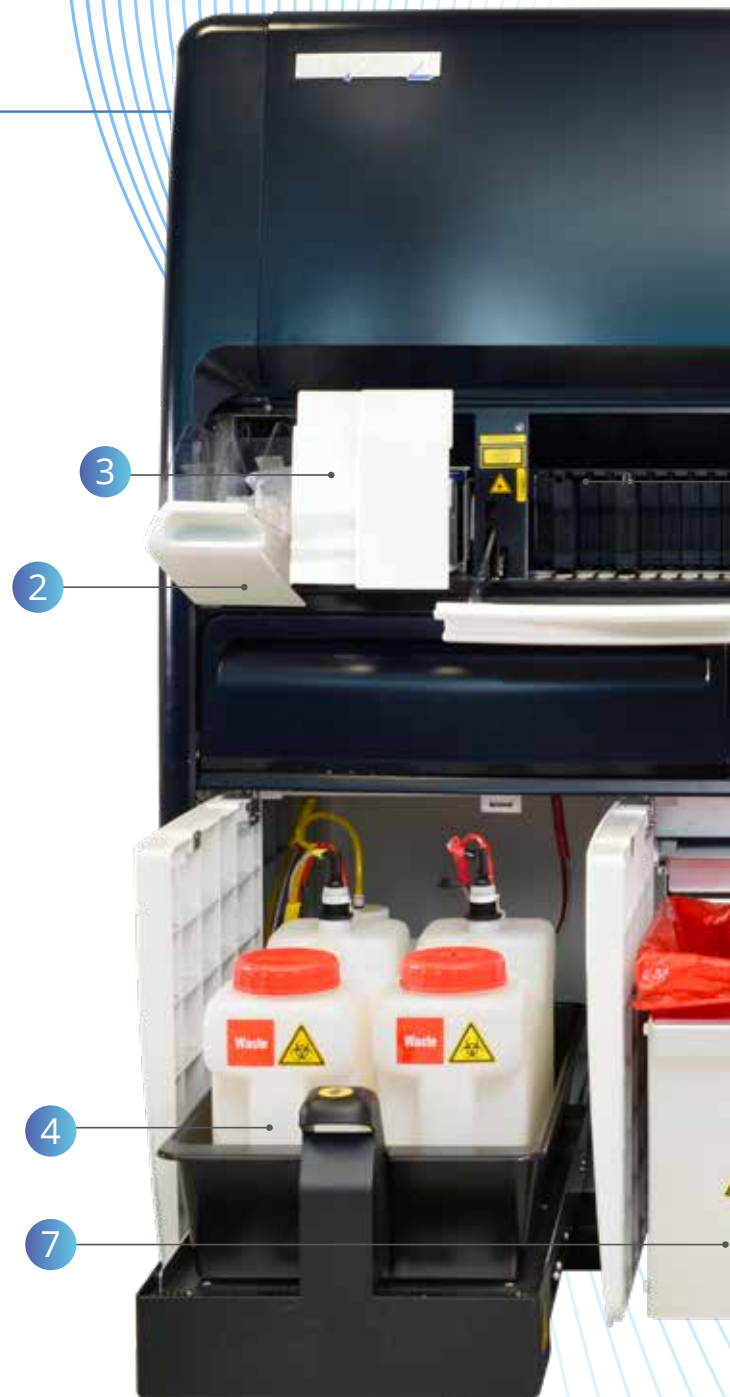
Full touchscreen monitor with internal PC ①

Consumables management

True continuous loading of all consumables

Disposable reaction cuvettes funnel ② and double **disposable pipetting tips** drawers ③

Double reservoirs for liquid waste ④, de-ionized water ⑤, wash buffer solution ⑥ and solid waste ⑦



*Assay dependent

[DISCOVER MORE](#)



Sample management

Loading: up to 120 sample tubes concurrently **8**

Matrixes: serum / plasma / urine / stool, CSF

Carryover is eliminated with disposable sample tips

Detection of sample depletion, clots and air bubbles.

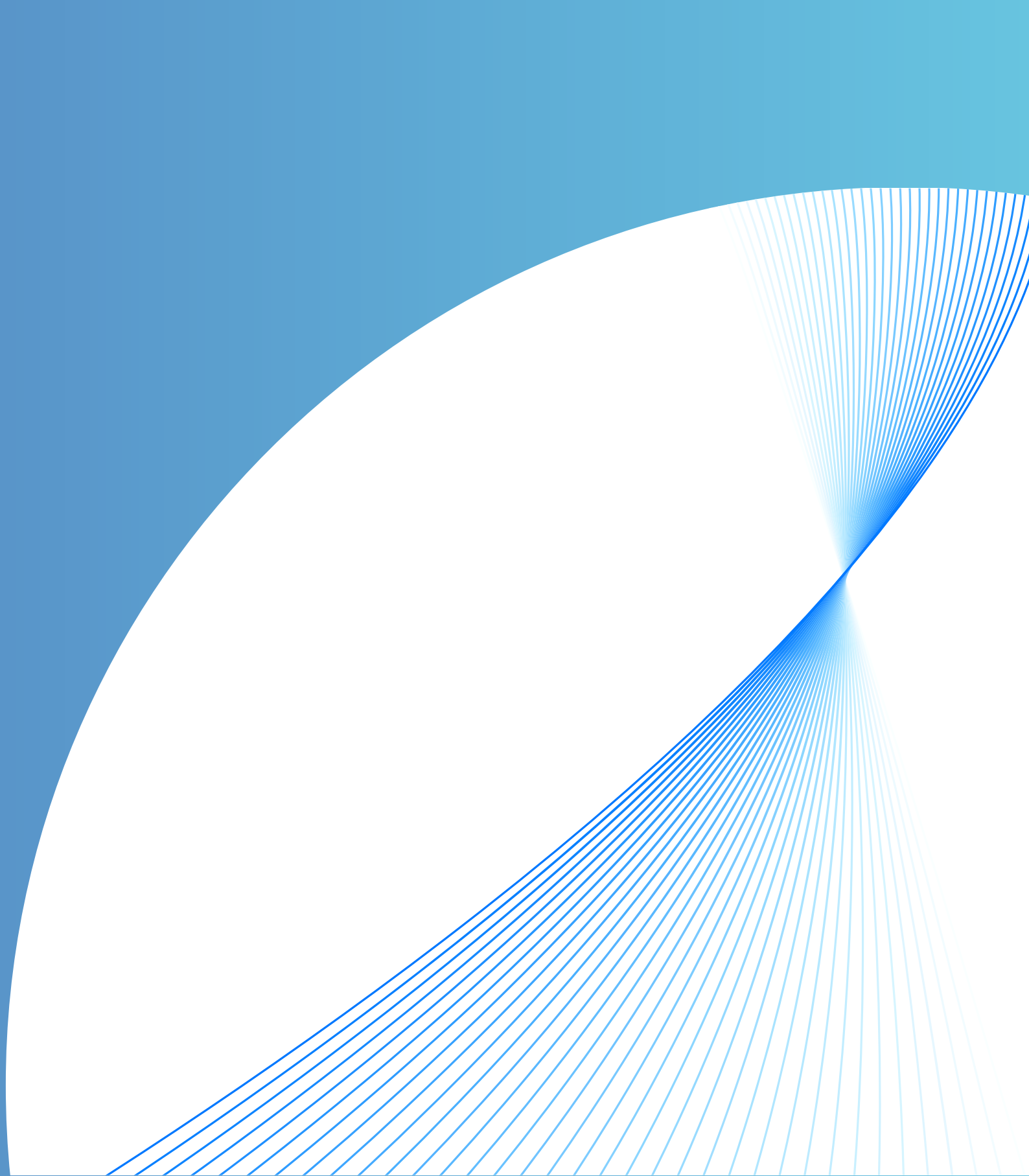
Reagent management

Load up to 25 different assays concurrently **9**

Control via Radio frequency identification (RFID) tag

Refrigerated onboard storage

[ON OUR WEBSITE](#)



Specialized diagnostics For more effective care

Our strong commitment to specialized diagnostics has been serving laboratories around the world for over 50 years.

Today more than ever, you can trust the automated, high-quality clinical results of DiaSorin's unique immunodiagnostic solutions to enhance the efficiency of your lab, regardless of its size.

For outside the US and Canada only
Product availability subject to required regulatory approval
Check availability in your country by contacting the DiaSorin subsidiary or the distributor on site



The Diagnostic Specialist

DiaSorin S.p.A.

Via Crescentino, snc -13040 Saluggia (VC) Italy
Tel. +39 0161 487 526/947 Fax +39 0161 487 670
www.diasorin.com - info@diasorin.it