

NK AWS-S200™

VIDEO LARYNGOSCOPE



The NK AWS-S200™ video laryngoscope is designed for the safe and secure intubation of patients in even the most difficult situations. The NK AWS-S200 may help protect clinicians from infectious aerosols by supporting rapid video intubation of patients with respiratory infections.

Intuitive

- Offers a significantly shorter median time to intubation in difficult airways (22.9 seconds; interquartile range= 19.5–24.9 s) which is up to 33 seconds faster than other devices¹
- Guides healthcare providers of all skill levels through intubation with clear on-screen crosshairs
- Provides a superior laryngeal view compared to other devices², ensuring reliable tracheal intubation with its high-definition color LCD
- Eliminates the need for a stylet with a tube guide groove built into the disposable blades, which also include a hole for a suction catheter (large adult blade only)

Safe



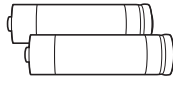


- Reduces exposure and prioritizes oxygenation in patients suffering from COVID-19 or critical patients who require intubation by limiting exposure to infectious aerosols³ and minimizing the likelihood of failed intubation⁴
- Provides a better view of vocal cords, faster intubation time and higher success rate than other laryngoscopes in patients with cervical spine immobilization⁵
- Enables clinicians to perform tracheal intubation without interrupting CPR in both normal and difficult airways⁶
- Can reduce the risk of oral and pharyngeal injury, including mild mucosal bleeding and sore throat,⁷ because of the built-in channel to guide the endotracheal tube and the ability to continuously observe the intubation procedure
- Reduces the potential for cross contamination with sterile disposable blades and efficient sterilization with alcohol or CIDEX®

Versatile

- Allows tracheal intubation to be performed without extending the neck, ensuring airway management can be safely performed for patients with trauma and suspected spinal cord injuries⁸
- Supports external LCD monitors or video recording devices to provide a larger view of the larynx and glottis
- Designed for extended continuous use on AA batteries and waterproof construction allows it to be used outdoors even in the rain
- Offers four different sizes of NK PBLADE® disposable blades for use in patients from neonate through adult

NK AWS-S200™ VIDEO LARYNGOSCOPE

PRODUCT COMPONENTS

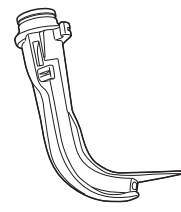
<p>PENTAX-AWS AWS-S200 1 piece</p> 	<p>USB CABLE 1 piece</p> 	<p>AA/MIGNON ALKALINE (LR6) BATTERY 2 pieces</p> 	<p>OPENER 1 piece</p> 	<p>SOFT CARRYING CASE (with strap) 1 piece</p> 
---	---	---	--	---

NK PBLADE® (sold separately)

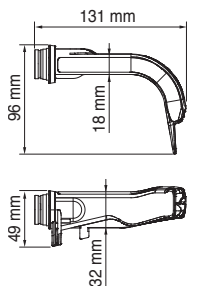
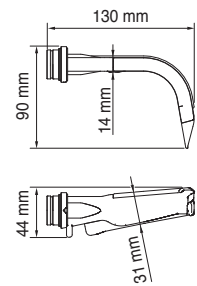
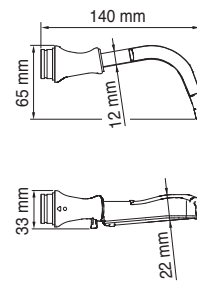
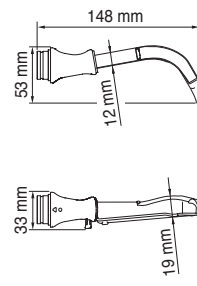
For information on the NK PBLADE products (sold separately) used in combination with this equipment, refer to Document 3.



NK PBLADE (sold separately)



SPECIFICATIONS

Model	ITL-SL	ITL-TL	ITL-PL	ITL-NL	
Description	Standard	Thin	Pediatric	Neonate	
ET Tube Sizes (O.D.)	8.5 - 11.0 [mm] (Maximum suction catheter size: 4.0mm [12Fr])	7.5 - 10.0 [mm]	5.5 - 7.6 [mm] (without cuff)	- 5.0 [mm] Neonate (without cuff)	
Appearance					
Size	H	131 [mm]	130 [mm]	140 [mm]	148 [mm]
	D	96 [mm]	90 [mm]	65 [mm]	53 [mm]
	W	49 [mm]	44 [mm]	33 [mm]	33 [mm]
Weight	55 [g]	25 [g]	23 [g]	22 [g]	

References

- <https://journals.sagepub.com/doi/pdf/10.1177/1024907917724727>
- <https://www.ncbi.nlm.nih.gov/pmc/articles/PMC5704853/>
- ahajournals.org/doi/pdf/10.1161/CIRCULATIONAHA.120.047463
- <http://downloads.hindawi.com/journals/bmri/2015/961782.pdf>
- [https://www.ojemjournal.com/article/S0735-6757\(15\)00781-0/fulltext](https://www.ojemjournal.com/article/S0735-6757(15)00781-0/fulltext)
- [https://www.resuscitationjournal.com/article/S0300-9572\(09\)00532-2/fulltext](https://www.resuscitationjournal.com/article/S0300-9572(09)00532-2/fulltext)
- <https://www.ncbi.nlm.nih.gov/pmc/articles/PMC5704853/>
- [https://www.ojemjournal.com/article/S0735-6757\(15\)00781-0/fulltext](https://www.ojemjournal.com/article/S0735-6757(15)00781-0/fulltext)

NK PBLADE is a registered trademark of Nihon Kohden Corporation.
 CIDEX is a registered trademark of Advanced Sterilization Products, a Johnson & Johnson company.
 Exceptional Solutions, Simply Delivered is a trademark of Nihon Kohden.

For more information, please contact us at
1-800-325-0283 or visit us.nihonkohden.com



Exceptional Solutions,
 Simply Delivered.™